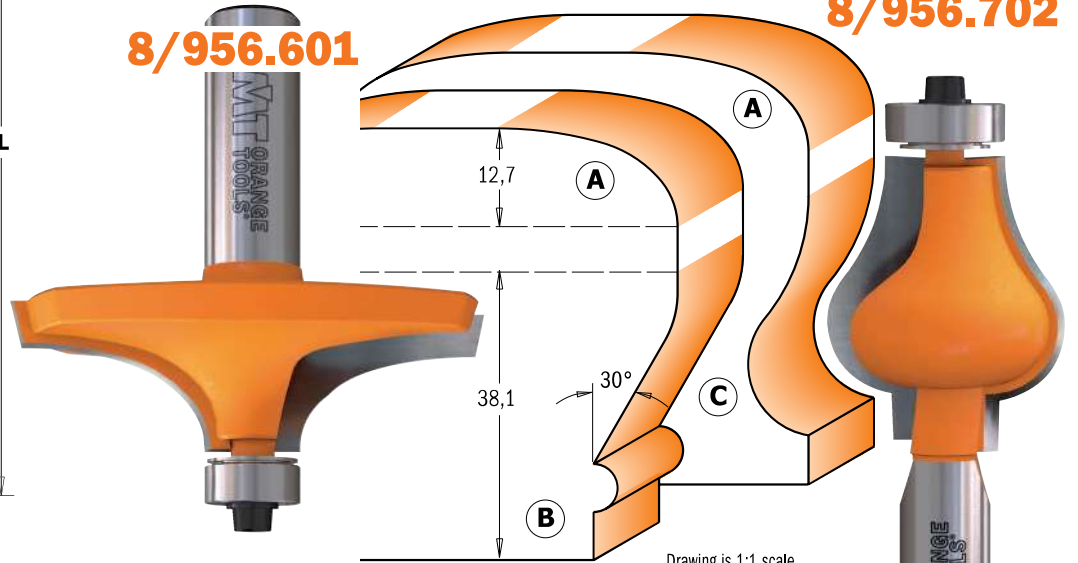


8/956.701

The **8/956.601.11** guarantees well-proportioned smooth curves. Complete the job with the **8/956.701.11** bit featuring a 30° bevel edge and a 3.2mm bead for beautifully functional hand rails.

SAFETY TIPS: these profile bits remove large amounts of stock and produce consistent quantities of dust. We recommend using a vacuum to keep the work area safe.



8/956.601

8/956.702

Drawing is 1:1 scale

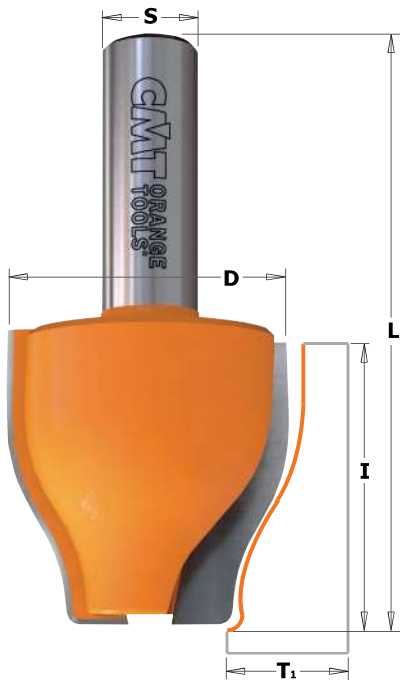
PROFILE	D mm	I mm	L mm		ORDER NO. S=Ø12mm	ORDER NO. S=Ø12,7mm
A	63,5	19	67,9	5	956.601.11	856.601.11
B	35	38	87	10	956.701.11	856.701.11
C	31,7	38,1	87	10	956.702.11	856.702.11

Spare parts

990.423.00	791.003.00	990.058.00	991.057.00
990.423.00	791.003.00	990.058.00	991.057.00
990.423.00	791.018.00	990.058.00	991.057.00

SHOP TIPS: after resharpening, replace bearing 791.003.11 (Ø12,7mm) with undersized bearing **791.063.00** (Ø12,5mm)

Vertical Raised Panel Bits

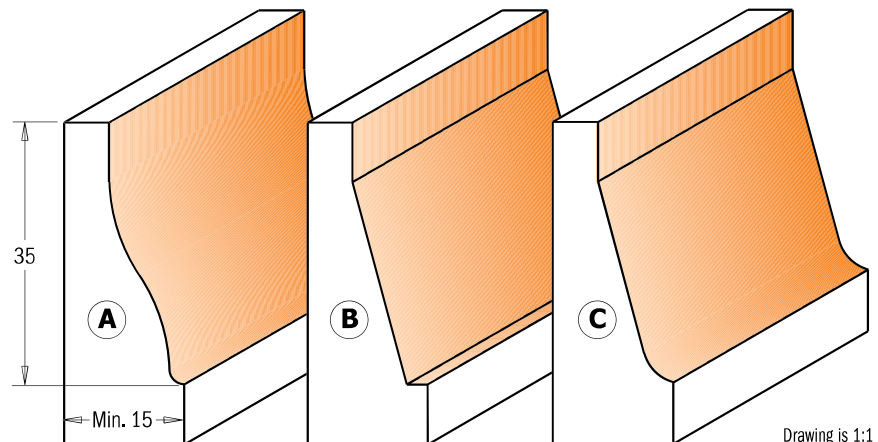


8/990.6



Use a sturdy 90° angle fence on your router table along with routers with a minimum speed of 1,7 KW (2-1/4 HP). Routers as low-powered as 1,1 KW (1-1/2 HP) can be used but we suggest limiting their use to shorter, shallower runs.

SAFETY TIPS: the template must be at least 150mm and clamps should be used whenever possible. Three to five passes are recommended to safely and accurately obtain the profile you desire.



Drawing is 1:1 scale

PROFILE	D mm	I mm	T ₁ mm	L mm		ORDER NO. S=Ø12mm	ORDER NO. S=Ø12,7mm
A	38	38	15 ÷ 18	76,2	10	990.601.11	890.601.11
B	38	38	15 ÷ 18	76,2	10	990.602.11	890.602.11
C	38	38	15 ÷ 18	76,2	10	990.603.11	890.603.11